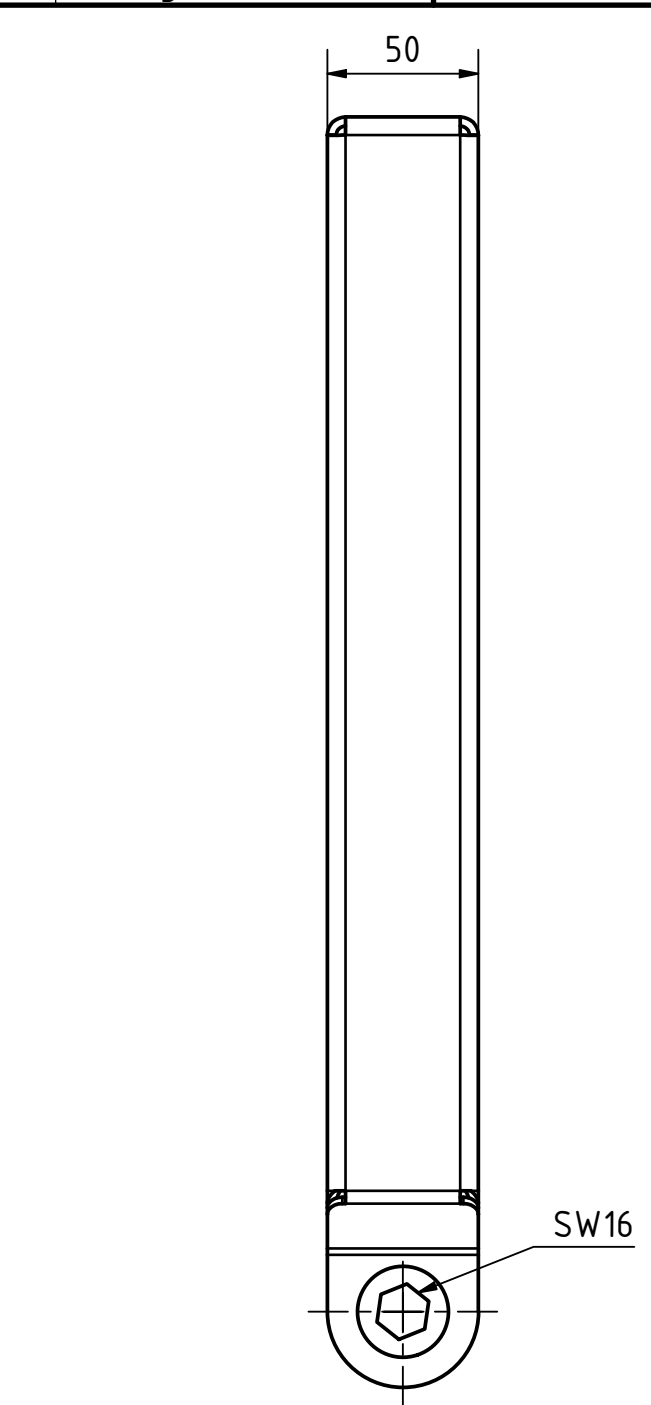
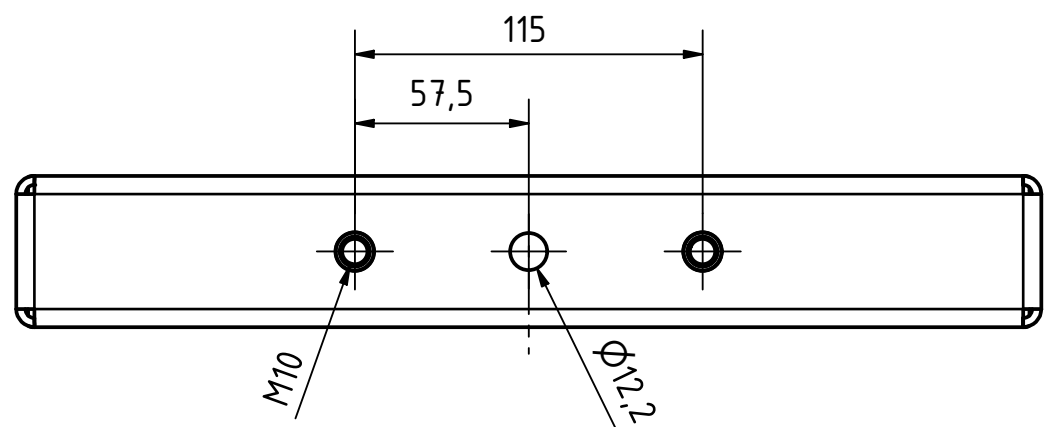
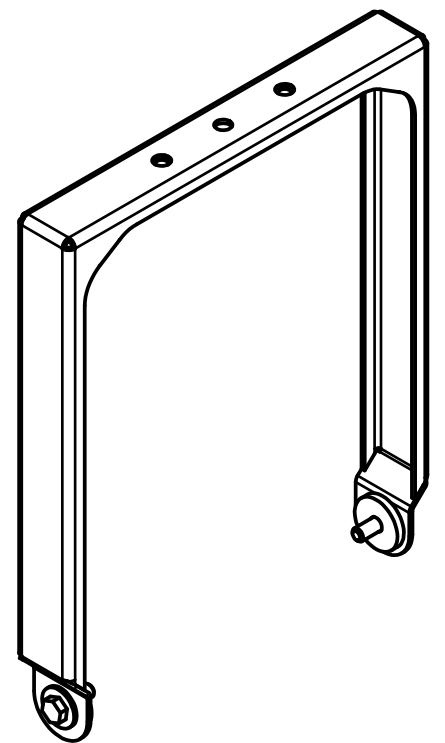


front view



side view



top view

0		25.09.2019	Heike Konrad
rev. no.		date	modified by
revision process			
<b>TWAUDIO®</b> Osterholzallee 140-2 71636 Ludwigsburg www.twaudio.de	scale: 1:2,5 (1:5)		
	weight: 3,0 kg		
All rights to this drawing reserved in accordance with ISO 16016. Copying and distribution by manufacturer's permission only.	document type: overview drawing	order number: SBT20i	
	status type: released	type: Installation swivel bracket	
general tolerance ISO 2768-mK ISO 13920-BF ISO 9013-IIA/K according to ISO 8015	edges according to ISO 13715	date	name
	surfaces (Ra) array 2 array 3 DIN ISO 1302	constructed: 25.09.2019	Stefan Ullrich
	drawn: 25.09.2019	Heike Konrad	
	checked:		
	approved: 25.09.2019	Heike Konrad	
C:\CAD_TW_AUDIO\CAD-Daten\Zubehör\Schwenkbruegel\SBT20i\SBT20i.iam		drawing number: TWA-SBT20i-0001	revision no.: 0
		sheet: 1	2
		A3	